

# ROTADAIRON®

# STONY 75

STONE BURIER FOR MICRO-TRACTOR

WEEDING

RAKING

SOIL  
PREPARATION

SEEDING

OVERSEEDING

DETHATCHING-  
SPIKING

MULCHING



MADE IN FRANCE

# STONE BURIER FOR MICRO-TRACTOR

## STONY 75

### Functions of the stone burier STONY 75

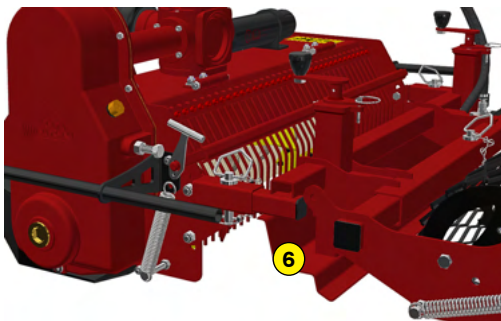
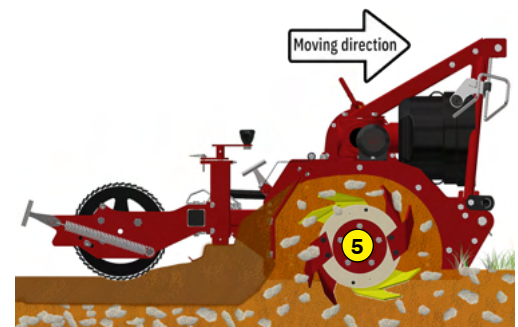
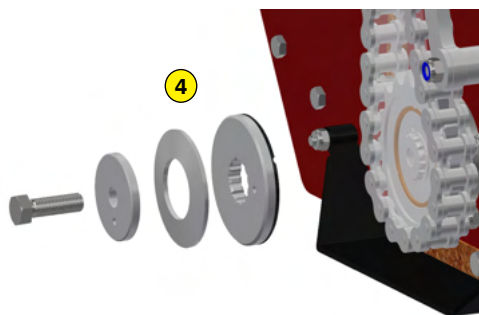
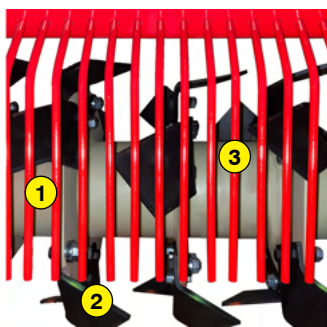
This soil preparer and stone burier is designed for micro-tractors. It allows the building or renovation of green spaces by preparing the seed bed before seeding. The machine is multi-purpose, it allows tilling, burying (stones, rubbish, herbs, etc.), levelling, mixing and rolling the surface. The use is done live or on a ground previously decompacted in depth and cleared of large stones.

### Quality of service

A large stock of spare parts is permanently maintained at our factory. Our partners have online tools and quick access to manufacturer information. Maintain the quality and performance of your Rotadairon® by using only original parts.

| Machine                          | STONY 75  |
|----------------------------------|---|
| Working width                    | 750 mm (29" 1/2)  |
| Total width                      | 1210 mm (47" 3/4)                                       |
| Weight                           | 265 Kg (584.2 lb)                                       |
| Tractor : Required power         | 15 - 18 CV  |
| Tractor : Max track width        | 0.92 meter (36" 1/5)                                    |
| Working depth (max)              | 140 mm (5" 1/2)   |
| Rotor outer diameter             | 400 mm (15" 3/4)  |
| Depth adjustment                 | Rear roller height adjustable 4 positions               |
| Number of blades                 | 16  |
| Grid finger spacing              | 22 mm (7/8")  |
| 3 point hitch                    | Categories 1 & 2  |
| PTO speed                        | 540 tr/min  |
| Tractor forward speed            | 0.8 to 1,5 Km/h (0.5 to 0.9 mph)                        |
| Transmission                     | Angle gearbox<br>+ oil bath chain                       |
| Security                         | Oil bath torque limiter<br>at the end of the rotor      |
| Transport dimension<br>w x L x H | 1210 mm x 1450 mm x 820 mm<br>(47" 3/4 x 57" x 32" 1/4) |

- 1 Oversized rotor
- 2 Anti-pad blades (Rotadairon® patent)
- 3 Selection grid fingers
- 4 Oil bath torque limiter at rotor end
- 5 Soil preparation principle
- 6 Grader blade



ROTADAIRON  
Départementale 92 - Les Hunaudières  
72230 Mulsanne - France  
Mail : [contacts@rotadairon.fr](mailto:contacts@rotadairon.fr)  
Phone number : (33) 2 43 422 422



[www.rotadairon.fr](http://www.rotadairon.fr)