

ROTADAIRON®

SME 205

SEEDING MACHINE FOR TRACTORS

WEEDING

RAKING

SOIL
PREPARATION

SEEDING

OVERSEEDING

DETHATCHING-
SPIKING

MULCHING



MADE IN FRANCE

SEEDING MACHINE FOR TRACTORS

SMG 205

Functions of the seeder SMG 205

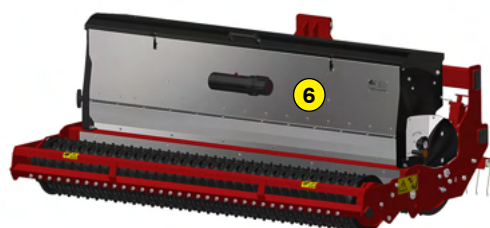
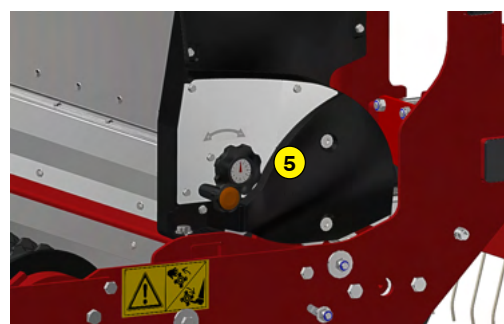
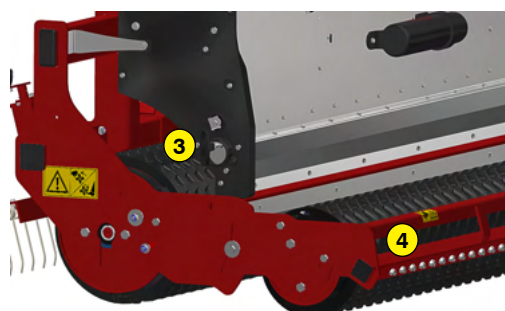
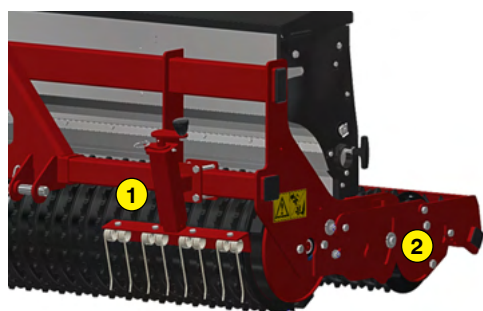
This seeding machine was designed to sow most varieties of grass such as pastures, red fescue, ray-grass, etc. on large areas. It is equipped with a gravity seeder and two cast iron rollers, allowing a single clutch passage. It is used on the ground previously worked with the aid of a soil preparer/stone burier.

Quality of service

A large stock of spare parts is permanently maintained at our factory. Our partners have online tools and quick access to manufacturer information. Maintain the quality and performance of your Rotadairon® by using only original parts.

- 1 Wheel Eraser Claws
- 2 Swing rear roller
- 3 Quick opening / closing system by guillotine, without flow change
- 4 Front and rear roller scraper
- 5 Seed flow adjustment
- 6 Stainless steel gravity seeder

Machine	SMG 205
Seeding width	2000 mm (78" 3/4)
Total width	2245 mm (88" 1/2)
Weight	712 Kg (1569.6 lb)
Tractor : Required power	50 - 95 CV
Front roller type	Cast iron serrated disc roller
Front roller diameter	Ø 400 mm (15" 3/4)
Rear roller type	Cast iron serrated disc roller
Rear roller diameter	Ø 295 mm (11" 1/2)
3 point hitch	Categories 1 & 2
Tractor forward speed	3 to 5 Km/h (1.8 to 3.1 mph)
Transport dimension w x L x H	2245 mm x 1150 mm x 910 mm (88" 1/2 x 45" 1/4 x 35" 3/4)
Seeder	
Type of seed drill	Stainless steel gravity seeder
Seed rate adjustment	Adjustment clock 0 to 12 o'clock
Seed drill capacity	178 liters (47 US gal)



ROTADAIRON
Départementale 92 - Les Hunaudières
72230 Mulsanne - France
Mail : contacts@rotadairon.fr
Phone number : (33) 2 43 422 422



www.rotadairon.fr