

# ROTADAIRON®

# RX 250-L3

STONE BURIER FOR TRACTOR

WEEDING

RAKING

SOIL  
PREPARATION

SEEDING

OVERSEEDING

DETHATCHING-  
SPIKING

MULCHING



MADE IN FRANCE

# STONE BURIER FOR TRACTOR

## RX 250-L3

### Functions of the stone burier RX 250- L3

This soil preparer and stone burier allows the building or renovation of green spaces by preparing the seed bed before seeding. The machine is multi-purpose, it allows tilling, burying (stones, rubbish, herbs, etc.), levelling, mixing and rolling the surface. The use is done live or on a ground previously decompacted in depth.

Its particularity is that its transport width is 3 meters (118" 1/8).

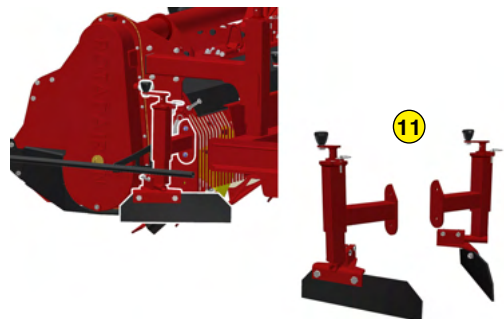
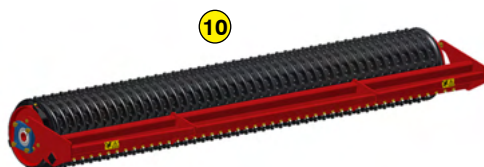
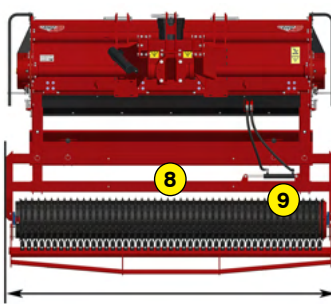
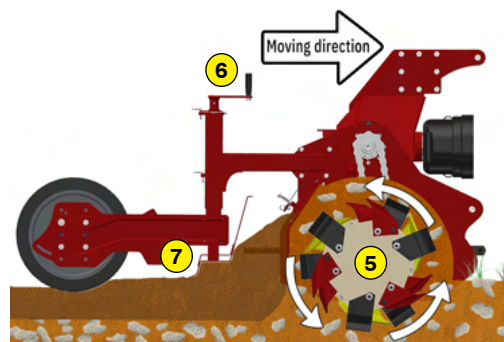
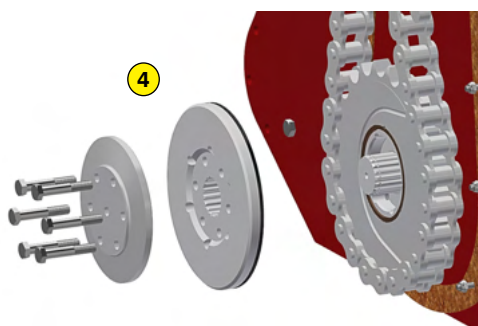
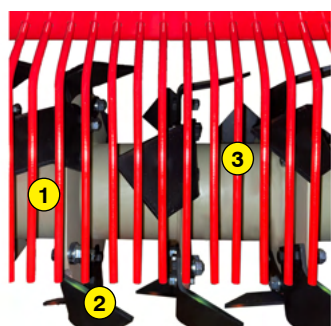
### Quality of service

A large stock of spare parts is permanently maintained at our factory. Our partners have online tools and quick access to manufacturer information.

Maintain the quality and performance of your Rotadairon® by using only original parts.

- 1 Oversized rotor
- 2 Anti-pad blades (Rotadairon® patent)
- 3 Selection grid fingers
- 4 Torque limiter in oil bath at each end of the rotor
- 5 Soil preparation principle
- 6 Working depth adjustment
- 7 Grader blade
- 8 Transport gauge 3 meters (118" 1/8)
- 9 Rear mesh roller side adjustment device by cylinder
- 10 Option : Cast iron grooved disc roller + Scraper
- 11 Option : Anti-groove system (ARS)

Machine	RX 250-L3
Working width	2500 mm (98" 1/2)
Total width	2965 mm (116" 3/4)
Weight with mesh metal roller	1935 Kg (4263.7 lb)
Tractor : Required power	110 - 150 CV
Tractor : Max track width	2.45 meters (96" 1/2)
Working depth (max)	220 mm (8" 1/2)
Rotor outer diameter	630 mm (24" 3/4)
Depth adjustment	Support on rear roller adjustable by screw jacks
Number of blades	72
Grid finger spacing	20 mm (4/5")
3 point hitch	Categories 2 & 3
PTO speed	1000 tr/min
Tractor forward speed	0.8 to 1,5 Km/h (0.5 to 0.9 mph)
Transmission	Angle gearbox + Oil bath chains
Machine drive type	Dual drive
Security	Torque limiter in oil bath at each end of the rotor
Transport dimension w x L x H	2965 mm x 2200 mm x 1290 mm (116" 3/4 x 83" 1/2 x 52" 3/4)
Weight with cast iron notched disc roller	-
Options	- Cast iron grooved disc roller + Scraper - Tire roller - Anti-groove system (ARS)



Width : 3 meters (118" 1/8)



ROTADAIRON  
Départementale 92 - Les Hunaudières  
72230 Mulsanne - France  
Mail : contact@rotadairon.fr  
Phone number : (33) 2 43 422 422



www.rotadairon.fr