

# ROTADAIRON®

# RDL 2000

STONE BURIER FOR TRACTOR

WEEDING

RAKING

SOIL  
PREPARATION

SEEDING

OVERSEEDING

DETHATCHING-  
SPIKING

MULCHING



MADE IN FRANCE

# STONE BURIER FOR TRACTOR

## RDL 200

### Functions of the stone burier RDL 200

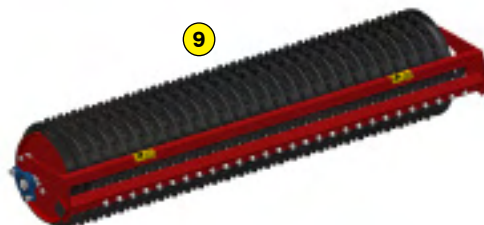
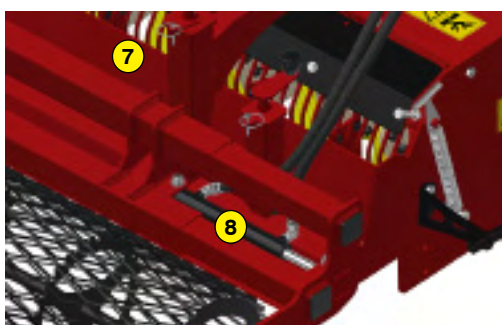
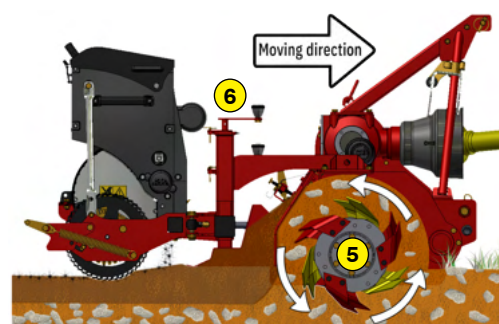
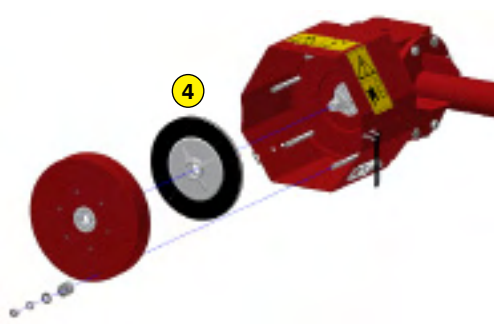
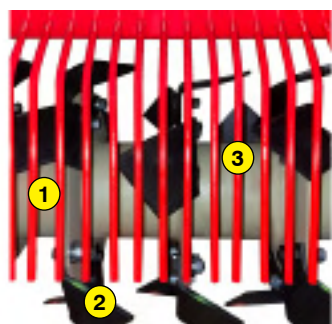
This soil preparer and stone burier is designed for tractors. It allows the building or renovation of green spaces by preparing the seed bed before seeding. The machine is multi-purpose, it allows tilling, burying (stones, rubbish, herbs, etc.), levelling, mixing and rolling the surface. The use is done live or on a ground previously decompacted in depth.

### Quality of service

A large stock of spare parts is permanently maintained at our factory. Our partners have online tools and quick access to manufacturer information. Maintain the quality and performance of your Rotadairon® by using only original parts.

- 1 Oversized rotor
- 2 Anti-pad blades (Rotadairon® patent)
- 3 Selection grid fingers
- 4 Torque limiter with dry friction and flywheel
- 5 Soil preparation principle
- 6 Working depth adjustment
- 7 Grader blade
- 8 Option : Rear mesh roller side adjustment device by cylinder
- 9 Option : Cast iron grooved disc roller + Scraper
- 10 Option : Stainless Steel Splice Dispenser Seeder

Machine	RDL 200
Working width	1984 mm (78")
Total width	2475 mm (97" 1/2)
Weight with mesh metal roller	965 Kg (2127.4 lb)
Tractor : Required power	55 - 80 CV
Tractor : Max track width	1,91 meters (75" 1/5)
Working depth (max)	160 mm (6" 1/4)
Rotor outer diameter	510 mm (20")
Depth adjustment	Support on rear roller adjustable by screw jacks
Number of blades	60
Grid finger spacing	20 mm (4/5")
3 point hitch	Categories 1 & 2
PTO speed	540 tr/min
Tractor forward speed	0.8 to 1,5 Km/h (0.5 to 0.9 mph)
Transmission	Angle gearbox + Oil bath chain
Security	Torque limiter with dry friction and flywheel
Transport dimension w x L x H	2410 mm x 1890 mm x 1120 mm (95" x 74" 1/2 x 44")
Weight with cast iron notched disc roller	1198 Kg (2641.1 lb)
Options	- Rear mesh roller side adjustment device by cylinder - Cast iron grooved disc roller + Scraper - Stainless Steel Splice Dispenser Seeder : SMC 200 - Spiral roller



ROTADAIRON  
Départementale 92 - Les Hunaudières  
72230 Mulsanne - France  
Mail : contact@rotadairon.fr  
Phone number : (33) 2 43 422 422



www.rotadairon.fr