

# ROTADAIRON®

# SME 155

SEEDING MACHINE FOR TRACTORS

RAKING

SOIL  
PREPARATION

SEEDING

OVERSEEDING

DETHATCHING -  
SPIKING

MULCHING



MADE IN FRANCE

# SEEDING MACHINE FOR TRACTORS

## SMG 155

### Functions of the seeder SMG 155

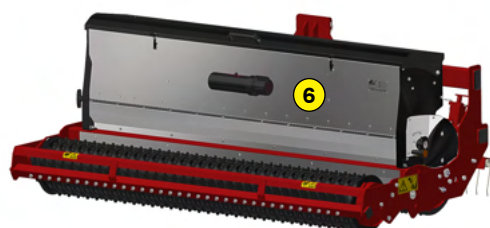
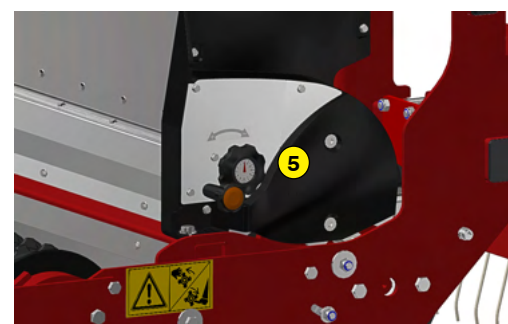
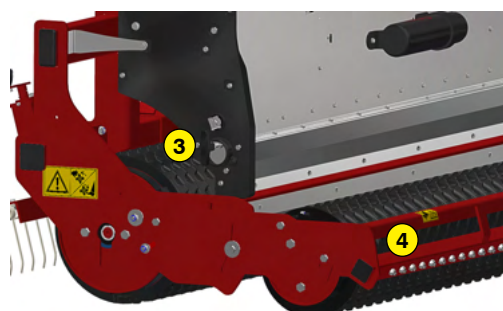
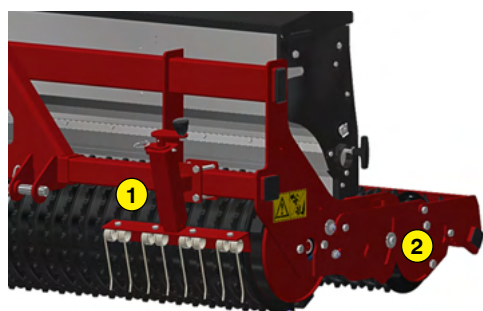
This seeding machine was designed to sow most varieties of grass such as pastures, red fescue, ray-grass, etc. on large areas. It is equipped with a gravity seeder and two cast iron rollers, allowing a single clutch passage. It is used on the ground previously worked with the aid of a soil preparer/stone burier.

### Quality of service

A large stock of spare parts is permanently maintained at our factory. Our partners have online tools and quick access to manufacturer information. Maintain the quality and performance of your Rotadairon® by using only original parts.

- 1 Wheel Eraser Claws
- 2 Swing rear roller
- 3 Quick opening / closing system by guillotine, without flow change
- 4 Front and rear roller scraper
- 5 Seed flow adjustment
- 6 Stainless steel gravity seeder

Machine	SMG 155
Seeding width	1500 mm (59")
Total width	1800 mm (70" 3/4)
Weight	575 Kg (1267.6 lb)
Tractor : Required power	30 - 60 CV
Front roller type	Cast iron serrated disc roller
Front roller diameter	Ø 400 mm (15" 3/4)
Rear roller type	Cast iron serrated disc roller
Rear roller diameter	Ø 295 mm (11" 1/2)
3 point hitch	Categories 1 & 2
Tractor forward speed	3 to 5 Km/h (1.8 to 3.1 mph)
Transport dimension w x L x H	1800 mm x 1150 mm x 910 mm (70" 3/4 x 45" 1/4 x 35" 3/4)
<b>Seeder</b>	
Type of seed drill	Stainless steel gravity seeder
Seed rate adjustment	Adjustment clock 0 to 12 o'clock
Seed drill capacity	139 liters (37 US gal)



ROTADAIRON  
Départementale 92 - Les Hunaudières  
72230 Mulsanne - France  
Mail : [contacts@rotadairon.fr](mailto:contacts@rotadairon.fr)  
Phone number : (33) 2 43 422 422



[www.rotadairon.fr](http://www.rotadairon.fr)