

ROTADAIRON®

RDH 70

STONE BURIER FOR HYDRAULIC LOADERS

RAKING

SOIL
PREPARATION

SEEDING

OVERSEEDING

DETHATCHING -
SPIKING

MULCHING



MADE IN FRANCE

STONE BURIER FOR HYDRAULIC LOADERS

RDH 70

Functions of the stone burier RDH 70

This soil preparer and stone burier is intended for hydraulic loaders with Bobcat hitch plate.

It allows the building or renovation of green spaces by preparing the seed bed before seeding. The machine is multi-purpose, it allows tilling, burying (stones, rubbish, herbs, etc.), levelling, mixing and rolling the surface. The use is made in direct or on a ground previously decompacted in depth and cleared of large stones.

Quality of service

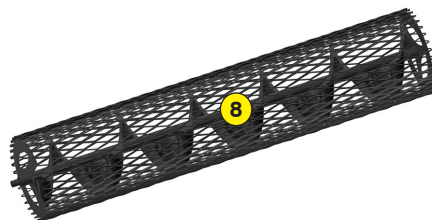
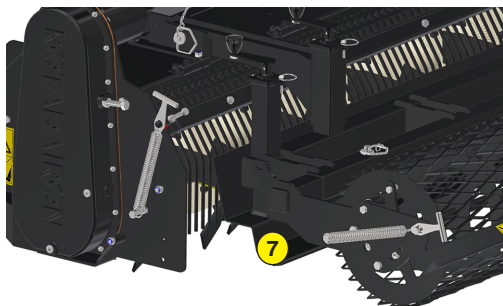
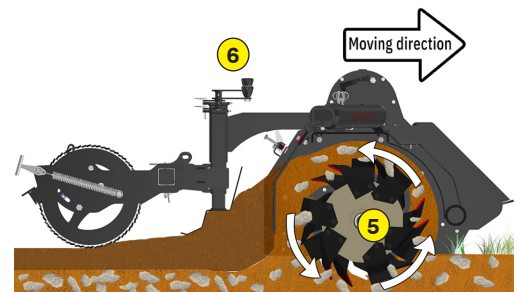
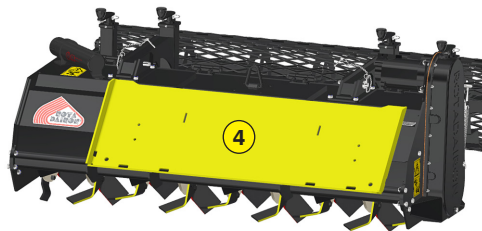
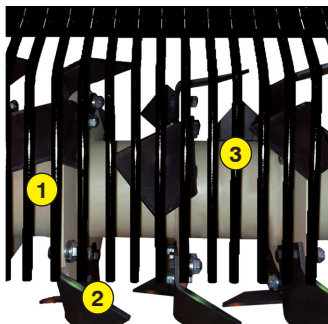
A large stock of spare parts is permanently maintained at our factory. Our partners have online tools and quick access to manufacturer information.

Maintain the quality and performance of your Rotadairon® by using only original parts.

- 1 Oversized rotor
- 2 Anti-pad blades (Rotadairon® patent)
- 3 Selection grid fingers
- 4 Conventional quick hook system
- 5 Soil preparation principle
- 6 Working depth adjustment
- 7 Grader blade
- 8 Option : Spiral roller
- 9 Option : Rear mesh roller side adjustment device by cylinder

| Machine | RDH 70 |
|----------------------------------|--|
| Hitch plate | Bobcat |
| Working width | 1774 mm (69" 3/4) |
| Total width | 2130 mm (84") |
| Weight | 780 Kg (1719.6 lb) |
| Carrier : Hydraulic flow | 70 to 120 l/min (18,5 to 31,7 US gpm) |
| Carrier : Pressure | 210 to 300 bars (3045 to 4350 psi) |
| Carrier : Maximum track width | 2,15 meters (84" 2/3) |
| Working depth (max) | 160 mm (6" 1/4) |
| Rotor outer diameter | 510 mm (20") |
| Depth adjustment | Support on rear roller adjustable by screw jacks |
| Number of blades | 54 |
| Grid finger spacing | 20 mm (4/5") |
| Forward speed of the carrier | 0,8 to 1,5 Km/h (0.5 to 0.9 mph) |
| Transmission | Hydraulic motor + chain in oil bath |
| Security | Made by the carrier |
| Transport dimension w x L x H | 2140 mm x 1900 mm x 850 mm (84" 1/4 x 74" 3/4 x 33" 1/2) |
| Options | - Spiral roller - Roller side adjustment device by cylinder (*) |

(*) Requires auxiliary hydraulic line



ROTADAIRON
Départementale 92 - Les Hunaudières
72230 Mulsanne - France
Mail : contact@rotadairon.fr
Phone number : (33) 2 43 422 422



www.rotadairon.fr