

ROTADAIRON®

RDH 52

STONE BURIER FOR HYDRAULIC LOADERS

RAKING

SOIL
PREPARATION

SEEDING

OVERSEEDING

DETHATCHING -
SPIKING

MULCHING



MADE IN FRANCE

STONE BURIER FOR HYDRAULIC LOADERS

RDH 52

Functions of the stone burier RDH 52

This soil preparer and stone burier is intended for hydraulic loaders. There are two versions of the machine hitch:

- Bobcat type hitch plate : RDH 52
- Adaptable to your carrier by your own : supplied without hitch plate, without hoses, without couplers : RDH 52 ADAPT

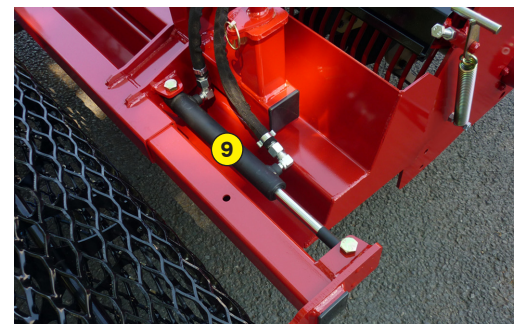
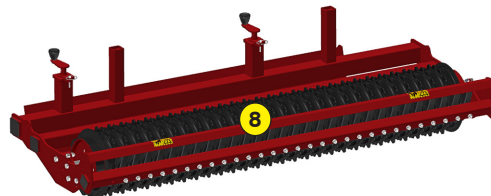
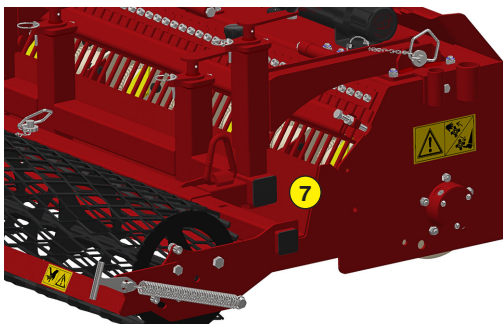
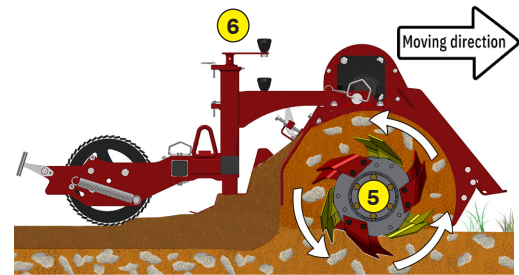
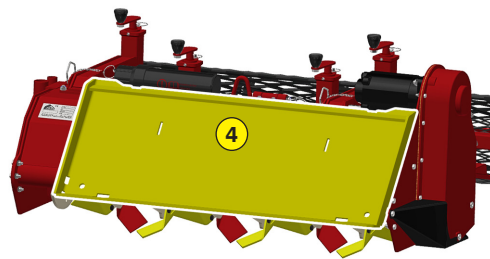
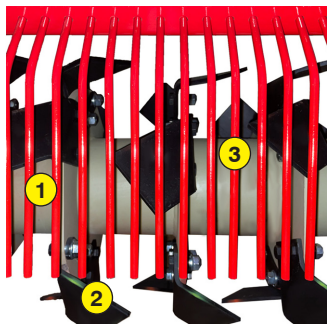
It allows the building or renovation of green spaces by preparing the seed bed before seeding. The machine is multi-purpose, it allows tilling, burying (stones, rubbish, herbs, etc.), levelling, mixing and rolling the surface. The use is made in direct or on a ground previously decompacted in depth and cleared of large stones.

Quality of service

A large stock of spare parts is permanently maintained at our factory. Our partners have online tools and quick access to manufacturer information. Maintain the quality and performance of your Rotadairon® by using only original parts.

- 1 Oversized rotor
- 2 Anti-pad blades (Rotadairon® patent)
- 3 Selection grid fingers
- 4 Conventional quick hook system
- 5 Soil preparation principle
- 6 Working depth adjustment
- 7 Grader blade
- 8 Option : Cast iron roller disc chassis
- 9 Option : Rear mesh roller side adjustment device by cylinder

Machine	RDH 52	
Model	RDH 52	RDH 52 ADAPT
Hitch plate	Bobcat	Without hitch plate, without hoses, without coupler
	For specific request, please contact us	
Working width	1340 mm (52" 3/4)	
Total width	1730 mm (68")	
Weight	450 Kg (992 lb)	415 Kg (915 lb)
Carrier : Hydraulic flow	70 to 120 l/min (18,5 to 31,7 US gpm)	
Carrier : Pressure	210 to 300 bars (3045 to 4350 psi)	
Carrier : Maximum track width	1,48 meters (58" 1/4)	-
Working depth (max)	140 mm (5" 1/2)	
Rotor outer diameter	400 mm (15" 3/4)	
Depth adjustment	Support on rear roller adjustable by screw jacks	
Number of blades	28	
Grid finger spacing	20 mm (4/5")	
Forward speed of the carrier	0,8 to 1,5 Km/h (0.5 to 0.9 mph)	
Transmission	Hydraulic motor + chain in oil bath	
Security	Made by the carrier	
Transport dimension w x L x H	1700 mm x 1570 mm x 700 mm (67" x 61" 3/4 x 27" 1/2)	
Options	<ul style="list-style-type: none"> - Cast-iron notched discs roller frame - Rear mesh roller side adjustment device by cylinder (*) - Gravity grass seeder : SG 130 - Spiral roller 	



ROTADAIRON
Départementale 92 - Les Hunaudières
72230 Mulsanne - France
Mail : contact@rotadairon.fr
Phone number : (33) 2 43 422 422



www.rotadairon.fr