

# ROTADAIRON®

# SMC 130

OPTION - SPLINE SEED DRILL

SOIL PREPARATION

SEEDING

OVERSEEDING

DETACHING  
SPIKING

MULCHING



MADE IN FRANCE

# OPTION - SPLINE SEED DRILL

## SMC 130







### Functions of the spline seed drill SMC 130

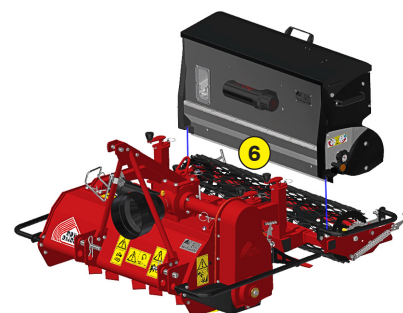
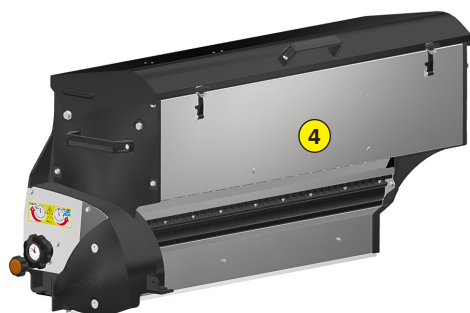
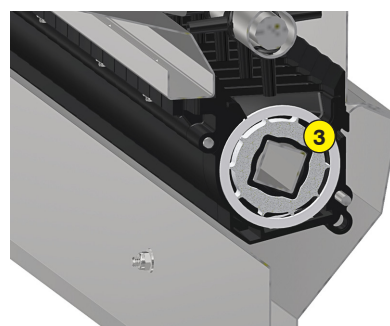
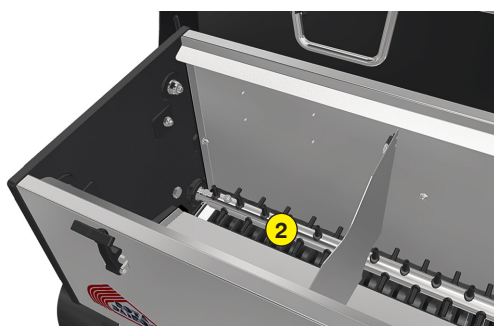
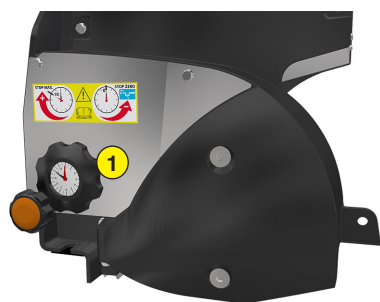
Stainless steel Seeder Rotadairon® SMC 130 is designed to be paired with the RD 130 soil preparer. You can bury the stones, prepare and sow with precision in one pass, this set allows to spread most of varieties of grass.

### Qualité de service

A large stock of spare parts is permanently maintained at our factory. Our partners have online tools and quick access to manufacturer information. Maintain the quality and performance of you Rotadairon® by using only original parts.

Machine	SMC 130
Mounting on machine type	RD 130
Seeding width	1325 mm (52'' 1/8)
Total width	1540 mm (60'' 5/8)
Number of distributors	55
Seed rate adjustment	Adjustment clock 0 to 12 o'clock
Seed drill capacity	120 liters (32 US gal)
Weight	56 Kg (123,5 lb)
Transport dimension w x L x H	1540 mm x 490 mm x 630 mm (60'' 5/8 x 19'' 3/8 x 24'' 7/8)

-  Micrometric adjustment clock
-  Mixer for decompacting seeds in the seedbox
-  Controlling seed consumption with fluted distributors (Rotadairon® patent)
-  Stainless steel seedbox
-  Seed level window
-  Quick fit on Rotadairon® soil preparer RD 130



ROTADAIRON  
Départementale 92 - Les Hunaudières  
72230 Mulsanne - France  
Email : [contacts@rotadairon.fr](mailto:contacts@rotadairon.fr)  
Tel : (33) 2 43 422 422



[www.rotadairon.fr](http://www.rotadairon.fr)